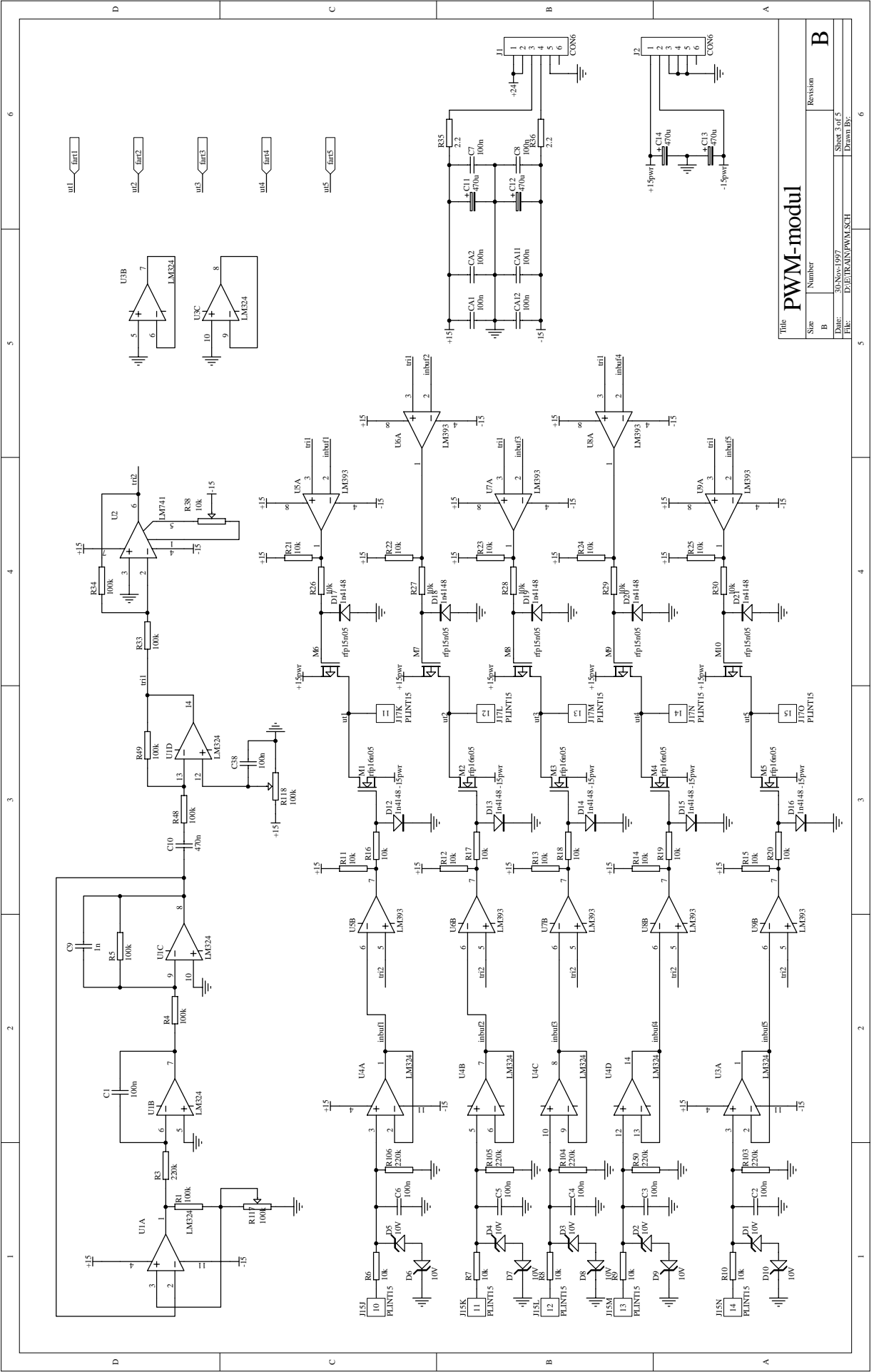
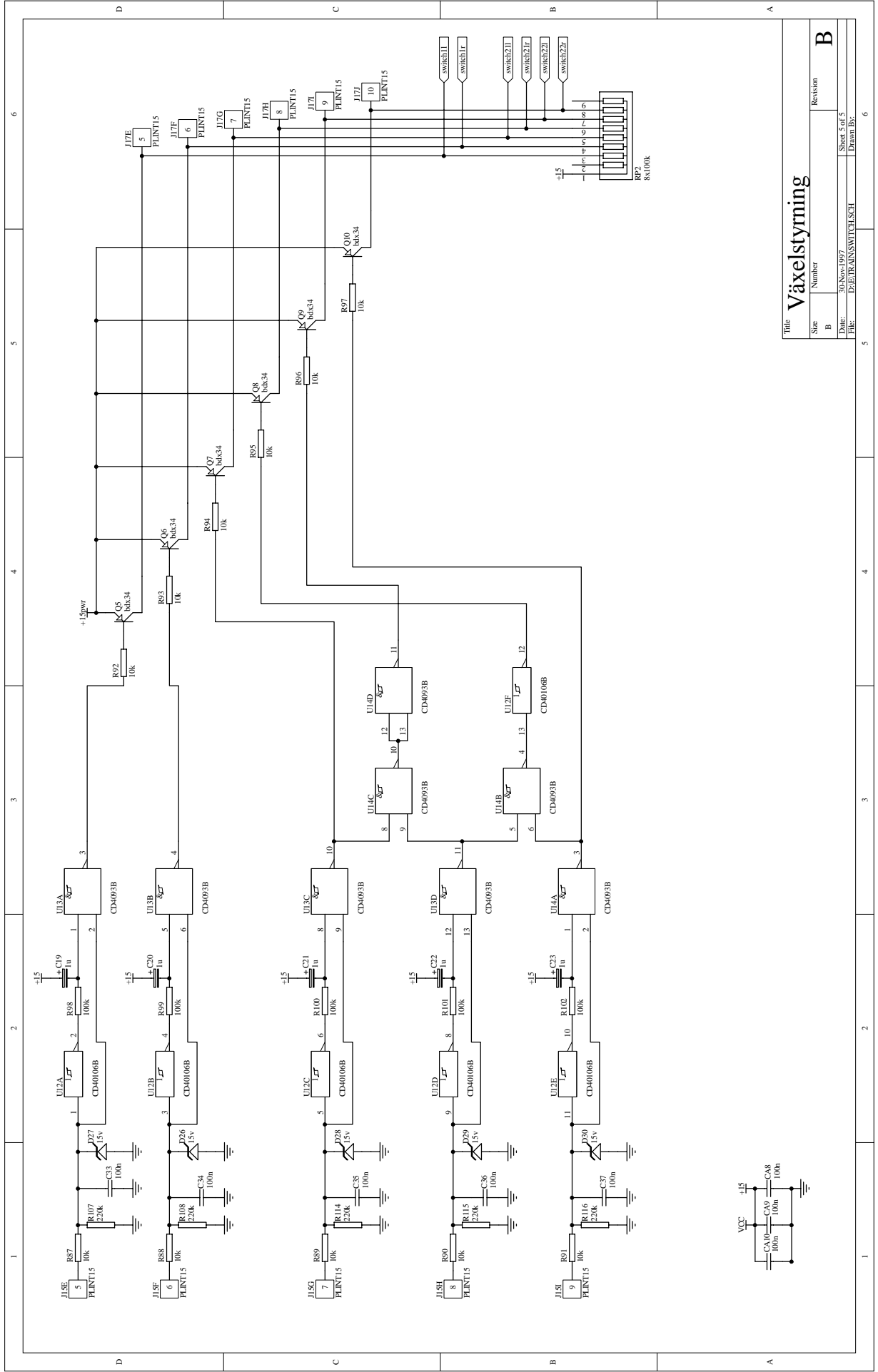


Title		Tågbanestyrning	
Size	Number	Revision	
A4		B	
Date:	30-Nov-1997	Sheet 1 of 5	
File:	D:\E\TRAIN\TRAIN.PRJ	Drawn By:	



PWM-modul

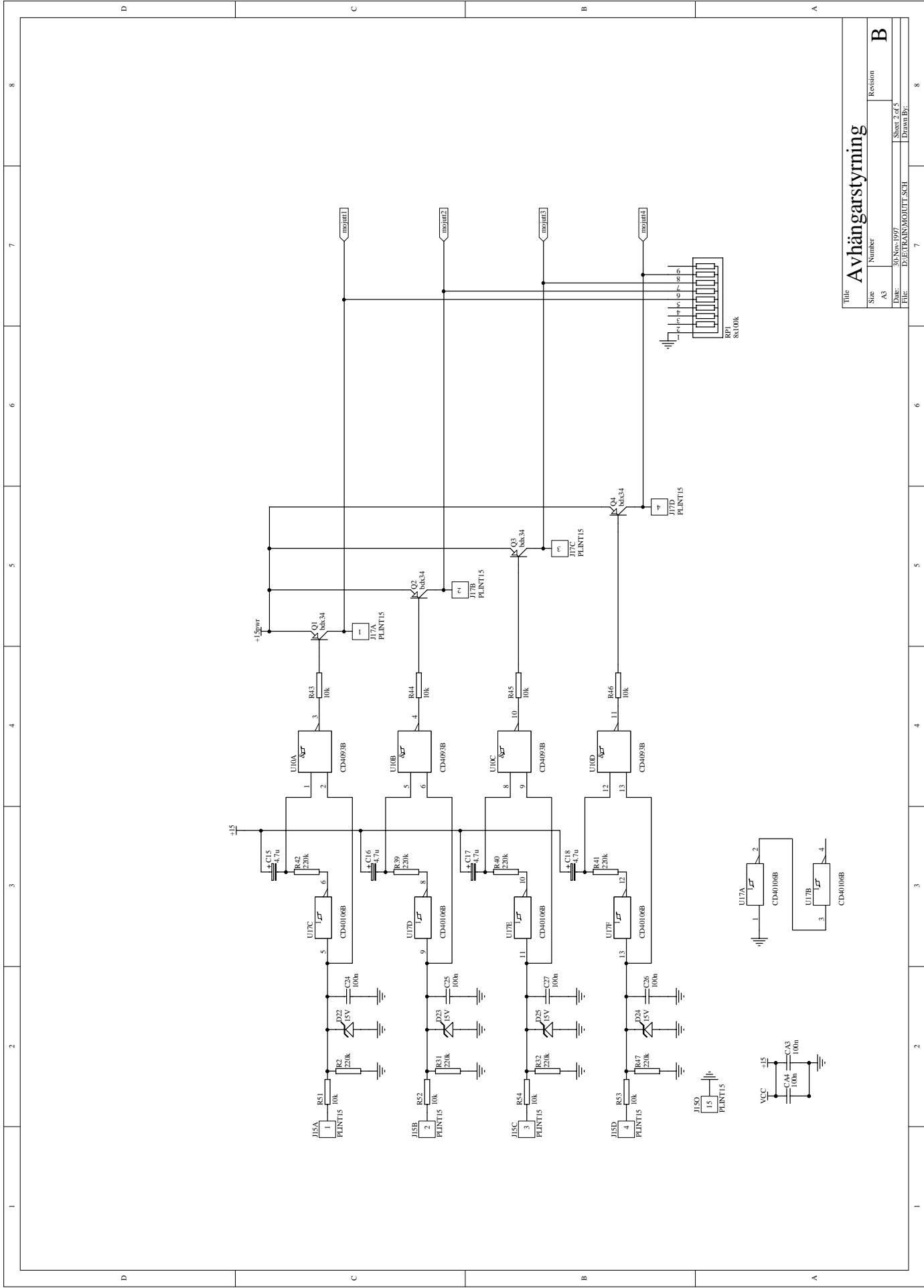
Title	Number	Revision
Size		
B		
Date:	30.Nov.1997	Sheet 3 of 5
File:	D:\ELECTRON\PWM1\SCH	Drawn By:



Title		Revision	
Size	Number		
B			
Date:	30-Nov-1997	Sheet 5 of 5	
File:	DETRGRVSSWITCH.SCH	Drawn By:	

Växeltstyning

B

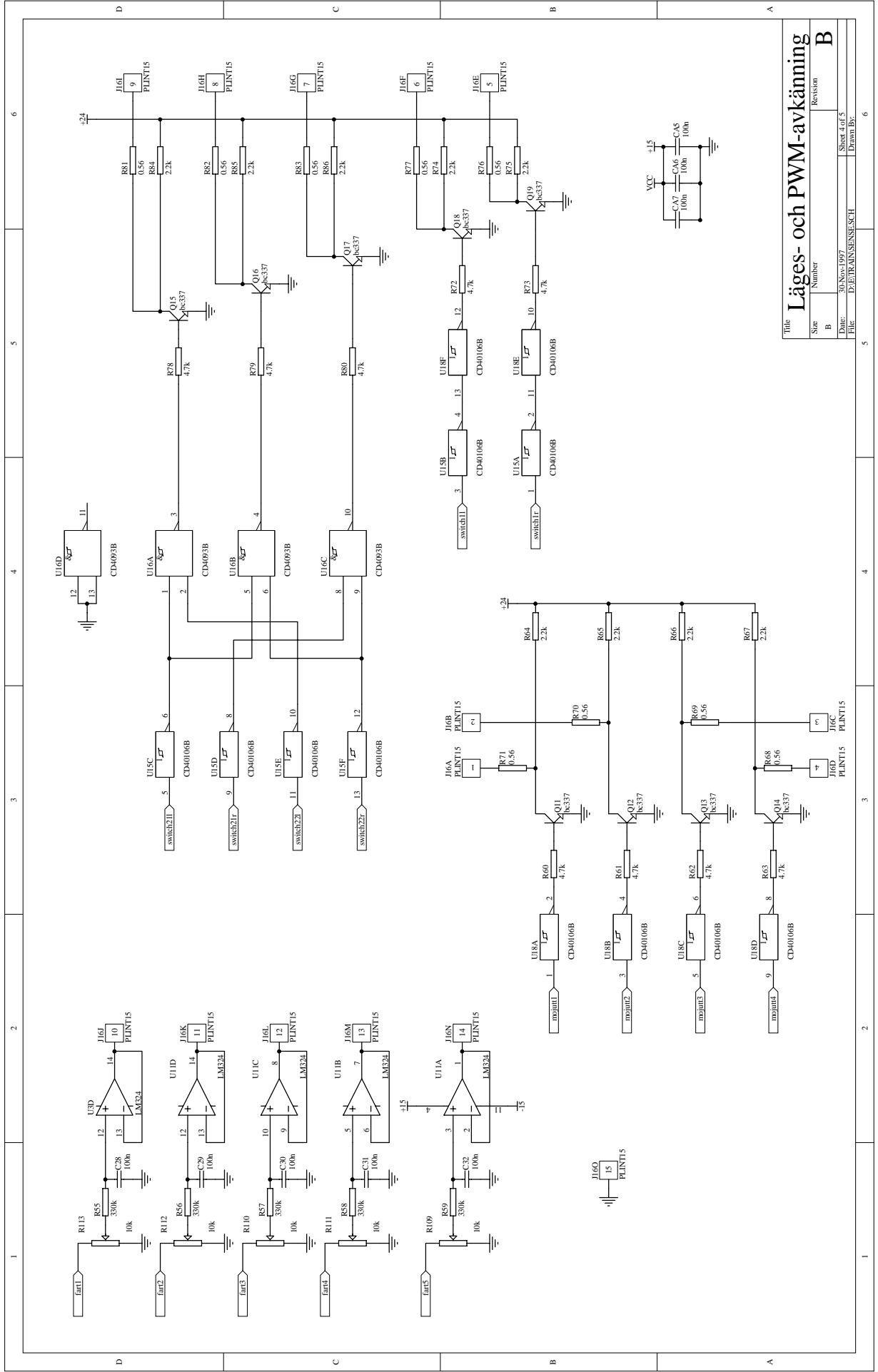


Title		Revision	
Size	Number	Revision	
A3		B	
30.No.: 1997		Sheet 2 of 5	
Date:		Drawn By:	
FILE: D:\E:\TRON\MOUTT\SCH1			

1 2 3 4 5 6 7 8

D C B A

D C B A



Title		Läges- och PWM-avkänning	
Size	Number	Revision	B
Date:	30-Nov-1997	Sheet 4 of 5	
File:	DETRONSENSE.SCH	Drawn By:	

